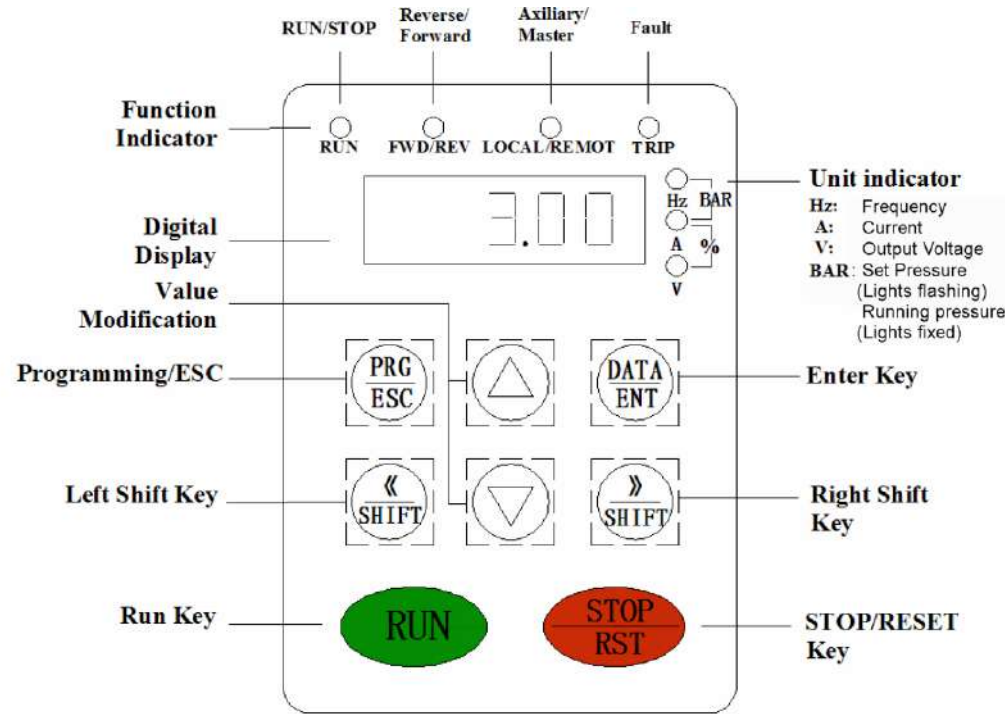


iCON iDRIVE Quick Start Guide



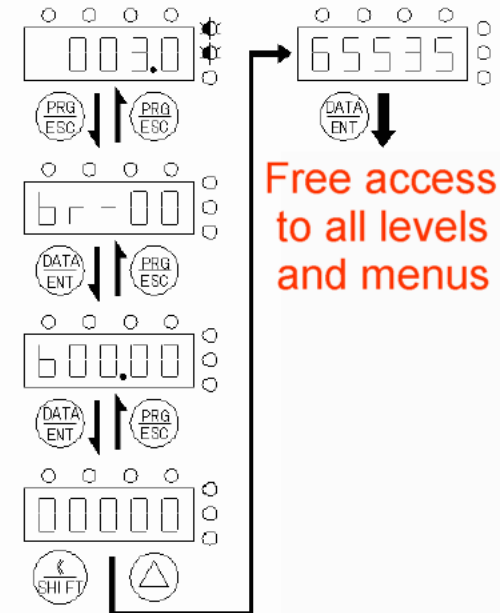
The iDrive has 3 menu levels. The primary level allows the user to scroll through the operating conditions, and also to alter the pressure set-point.

The second level allows access to 8 function groups

Within each function group the third level can be entered where a specific function can be selected and its value altered.

Primary Menu (above password).

Use < > buttons to view operating conditions of pump
 Set Pressure > Actual Pressure > Motor Hz > Current > Voltage
 Use ^ v buttons to alter set-point of Pressure (this is the only parameter adjustable at this level)



Sequence required to unlock the programming menu (Level 2)

Scroll > until the 2 top lights on the RHS are flashing (Bar)

Prg/Esc Data/Ent.....Data/Ent.....The screen will read 00000 (one digit will be flashing)

This allows the Password to be entered to allow adjustment of other VFD parameters. If the RH zero isn't flashing, press Stop/Reset.

Use ^ v buttons to enter digits. Use < > buttons to scroll sideways

Default password is 65535.....Data/Ent and you are past the password and have unlocked the programming menus.

Screen will read b0.001 (which is a level three menu) Press Prg/Esc to return to level 2

Level 2 gives you access to Br-00 to Br-07. Consult the installation manual for details of these settings. Data/Ent takes you to level 3, the parameters within each of the level 2 groups

Once past the password, you are able to move freely between the primary and programming menus without re-entering the password.

Initial Setup

For initial setup it is necessary to navigate to a program group which is also password protected.

First, follow the sequence above to enter the programming menu (Enter past password to level 2)

Navigate to Br-07..... Data/Ent.....

Select **B07.15**.....Data/Ent.....Screen reads 00000

Enter the password using the v ^ and < > buttons – Default password is 65535.....Data/Ent.....Screen will read b07.00

Prog/Esc to return to level 2.

Navigate to Br-08.....Data/Ent.....Screen will read B08.00.....Data/Ent and cycle through the 7 functions. Only **b08.01** to **b08.05** will require setting up at this stage. Enter the information from the pump motor nameplate in the appropriate fields

b08.06 or b08.07 are the passwords for the levels. DO NOT ALTER WITHOUT FIRST MAKING A RECORD.

Br08 Group Application Function					
⇒	b08.01	Motor Rated Power	0.4~350kw	Model Set	Depend on Model, Setting parameters according to nameplate of Motor
	b08.02	Motor Rated Frequency	0.00~600.00Hz	50.00Hz	
⇒	b08.03	Motor Rated Speed	0~36000RPM	Model Set	
	b08.04	Motor Rated Voltage	0~460V		
	b08.05	Motor Rated Current	0.0~2000.0A		

Once the motor parameters have been entered and the pressure set, the unit is ready for use.

Saving settings

At level one, Prg/Esc takes you to level two

At level two, Prg/Esc takes you to level one. Data/Ent takes you to level three

At level three, Prg/Esc takes you to level two without saving any settings you may have altered

Data/Ent also takes you to level two but saves any setting changes.

Applying password protection at the end of programming.

Ensure you are starting at the primary (top) menu

Prg/Esc.....Navigate to br-00.....Dat/Ent.....Navigate to b00.00.....Dat/Ent.....The screen will read 00000.....Data/Ent.....The screen will read b00.00

Prg/Esc up to level 2.....Prg/Esc to Primary level

Access to the programming levels is now password protected.

Note: Occasionally when programming, upon backing out to level 1 the display will freeze and be unresponsive to the keypad.

In this case disconnect the power and allow the display to go blank. Reconnect the power and the keypad will be free again

Pressure Transducer Wiring

The Pressure Transducer supplied by White International (Part No BIA-iDRIVETRANS1MPA , 802680) must be connected as follows,

RED +24V **Green AI1 (when transducer is on Pressure[Output] side of Pump)** **Black Ground**

